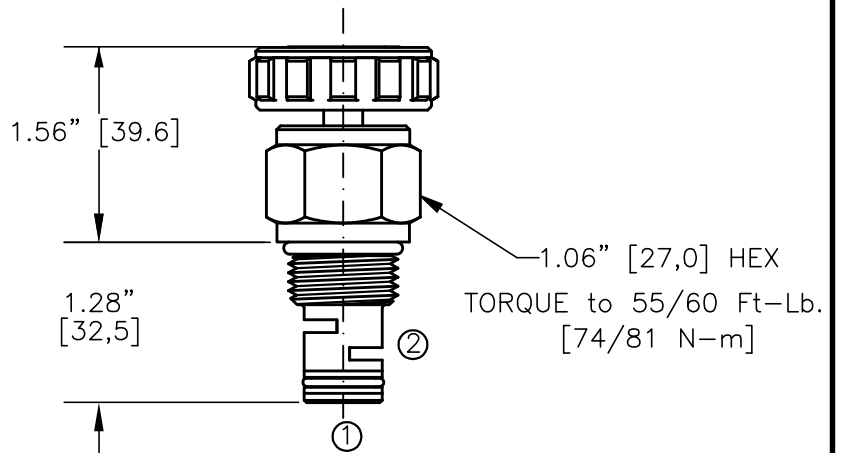
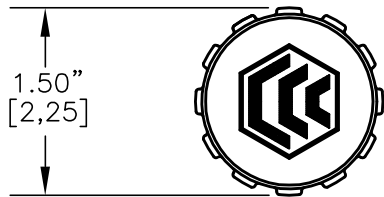
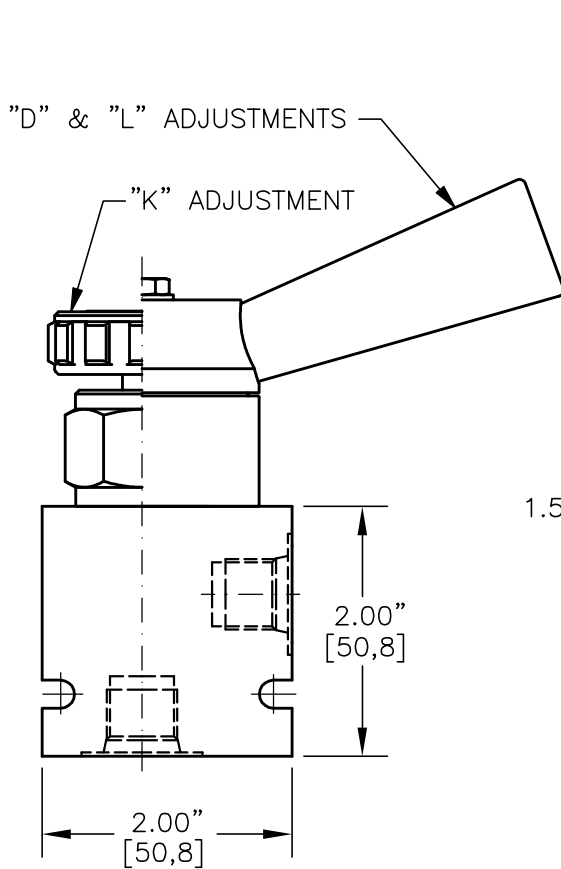
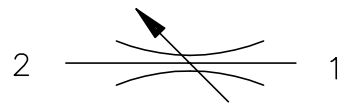




MANUAL ROTARY FLOW CONTROL VALVE



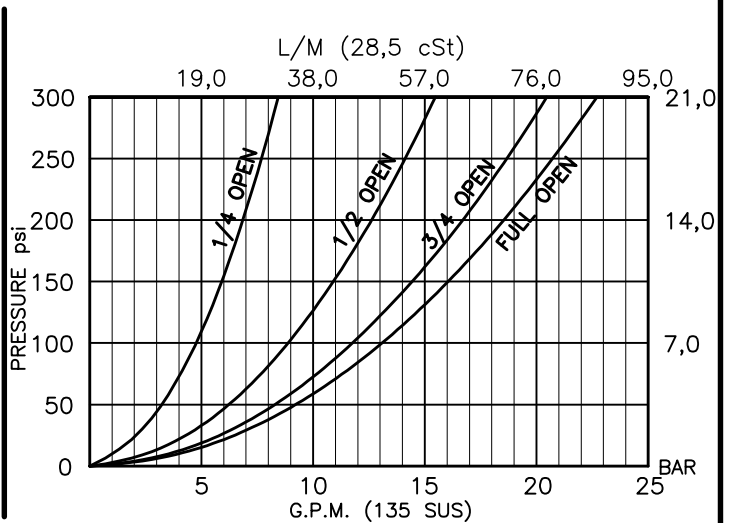
FOR ALUMINUM OR STEEL VALVE HOUSING CONFIGURATIONS SEE PAGE 0-012.1

MRFC-10-X-X-X

- BASIC
- SIZE
10 = 7/8"-14UNF
- SEALS
N = BUNA "N"
V = VITON
- ADJUSTMENT
K = HANDKNOB
H = METAL HANDKNOB
O = NO KNOB
G = GRADUATED METAL KNOB
D = LEVER WITH DETENTS
L = LEVER WITH FRICTION LOCK

- PORTS
0 = CARTRIDGE ONLY
02BX = G 1/4" BSPP
03BX = G 3/8" BSPP
06TX = SAE - #6
08TX = SAE - #8
"A" = ALUM. HOUSING
"S" = STEEL HOUSING

FOR ADJUSTMENT CONTROL OPTIONS SEE PAGE 0-050.1





MANUAL ROTARY FLOW CONTROL VALVE

DESCRIPTION

This unit is a SCREW IN, cartridge type, non-compensated, adjustable, bi-directional rotary flow control valve.

OPERATIONS

This valve increases its orifice value from fully closed to fully open in 1/2 turn with counterclockwise rotation.

FEATURES AND BENEFITS

Fine and low effort leakproof adjustment; knob is optional.
All external carbon steel parts are plated for longer life against the elements.
All cartridge valves are 100% functionally tested.
Industry common cavity.

SPECIFICATIONS

OPERATING PRESSURE: 5,000 PSI [350 Bar]
PROOF PRESSURE: 10,000 PSI [700 Bar]
FLOW: 18.0 GPM [68 l/m] nominal. See performance chart.
SHAFT ROTATION IS 160° FROM FULL OPEN TO CLOSED
INTERNAL LEAKAGE: 5 cu.in./min. [82 cc/m] @ 5,000 PSI (350 Bar)
VALVE HOUSINGS: 2500 PSI [175 Bar] = Aluminum - Anodized.
5000 PSI [350 Bar] = Steel - Unplated.
OPERATING TEMPERATURE: -40° to +250° F. [-40° to +120° C.]
OPERATING MEDIA: All general purpose hydraulic fluids such as
MIL-H-5606, SAE-#10, SAE-#20, etc.
INSTALLATION: No restrictions.
SEAL KIT: SKN-1022 Buna "N".
SKV-1022 Viton.
WEIGHT: .31 lb [.14 kg] cartridge only.
VALVE CAVITY: #C1020, See Page 0-012.0.